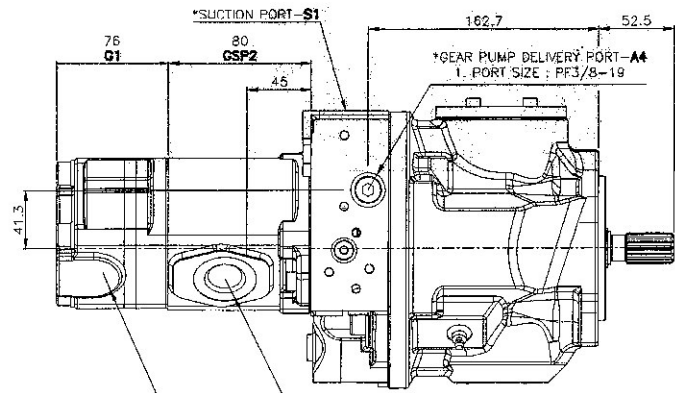
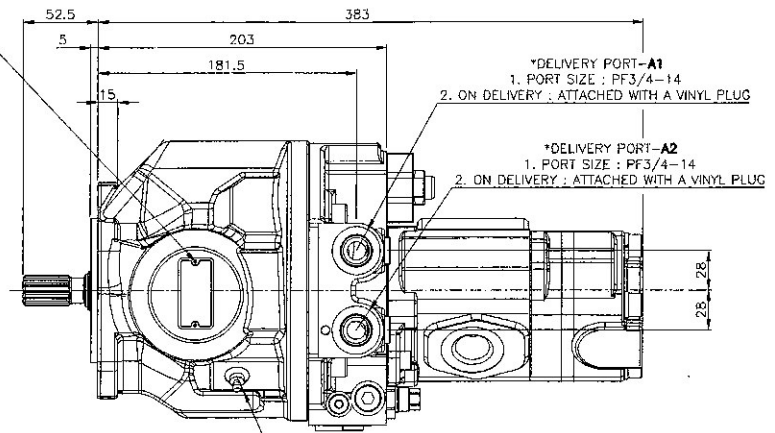
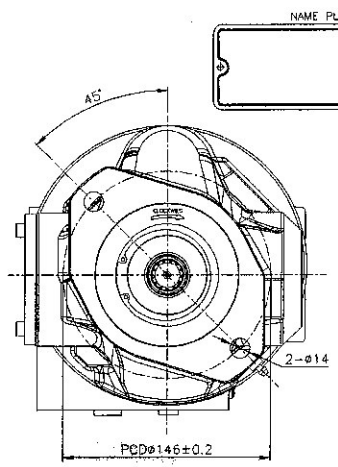
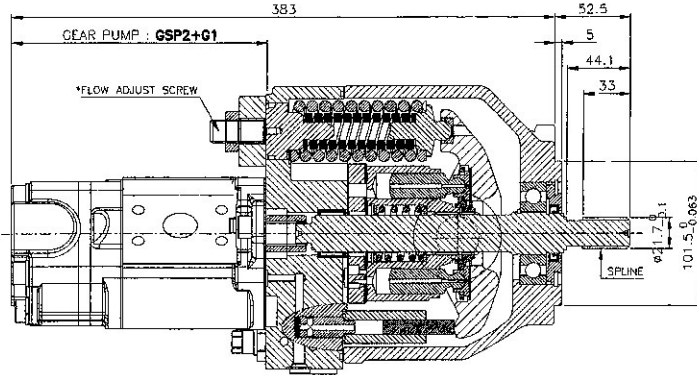


DOUBLE GEAR PUMP (21/11)

REV	DATE	BY	CHK	APP	SCALE
1					



OPERATING SPECIFICATIONS

1. MAX. DISPLACEMENT

P1	25.5MPa
P2	25.5MPa
P3	23.5MPa
P4	4.9MPa

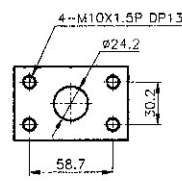
2. RATED SPEED : 2600rpm
 3. MAX WORKING PRESSURE : 25.5(260)MPa(kgf/cm²)

INVOLUTE SPLINE 公称齿

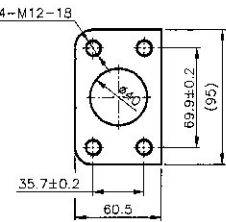
齿数	48
齿顶圆直径	13
齿底圆直径	10.5
齿宽	1.5
齿形角	30°
齿顶圆直径	ø10.6~ø10.7
齿底圆直径	ø21.6~ø21.7
齿形	Side Filling
标准	DIN54810

***GEAR PUMP : GSP2**
 1. DISCHARGE RATE : 21cc/rev
 2. MAX WORKING PRESSURE : 210kgf/cm²
 -50°C, ISO VG46, -80~90°C-

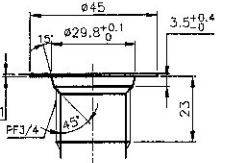
***GEAR PUMP : G1**
 1. DISCHARGE RATE : 11cc/rev
 2. MAX WORKING PRESSURE : 35kgf/cm²
 -50°C, ISO VG46, -80~90°C-



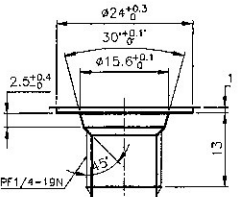
GEAR PUMP SUCTION PORT (ZX60)
 SAE J518 1-1/4(CODE 61)
 *SCALE : 1/1



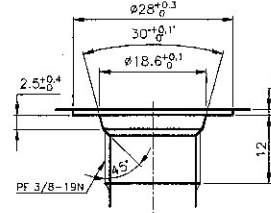
SAE 1/2
 FOR SUCTION PORT
 *SCALE : 1/1



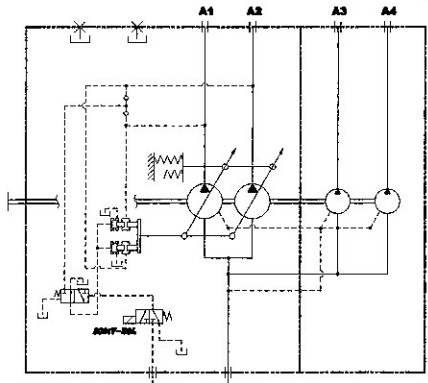
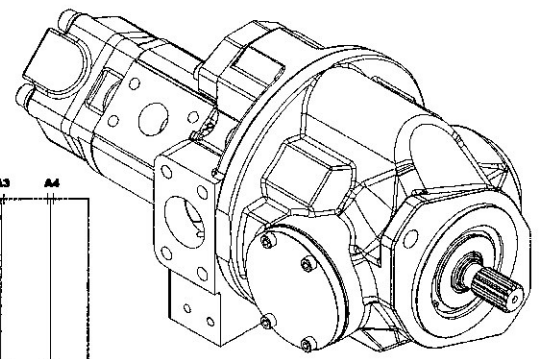
DETAIL-DELIVERY PORT
 *SCALE : 2/1



DETAIL-DRAIN PORT-R
 *SCALE : 4/1



DETAIL-DRAIN PORT-R1
 *SCALE : 4/1



HYDRAULIC CIRCUIT FOR PRINCIPLE

MODEL	HP2D25
W-PART NAME	SPECIFICATION
N-DATE	2014.04.25
W-UNIT	mm
SCALE	A1